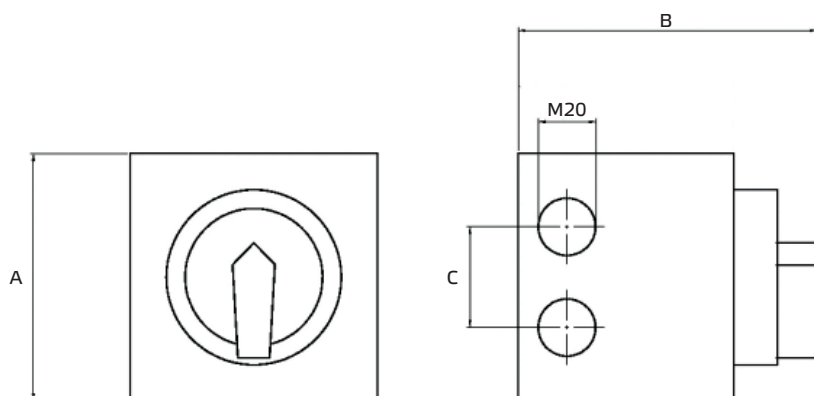


Isolator Switch GS



GS 01 - GS 03



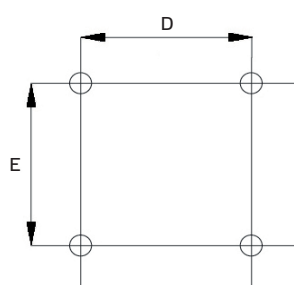
GS 05

Type	ID	A mm	B mm	C mm	D mm	E mm	Weight kg
GS 01	102787	86	100	34	68	68	0,3
GS 02	105386	86	97	34	68	68	0,3
GS 03	107633	86	111	34	68	68	0,3
GS 05	107273	68	97	26	55	55	0,2

- Isolator Switch
- Switching capacity 400 V 3~ = 5,5 kW
- U_{max}= 400 V, 50/60 Hz
- I_{max}= 16 A
- Surface mounting

Type	ID	pole	Main contact N/O contact	Auxiliary contact	
				N/O contact	N/C contact
GS 01	102787	3	3	2	1
GS 02	105386	6	6	0	0
GS 03	107633	6	6	1	1
GS 05	107273	3	3	0	0

Mounting :



Legend

- I_{max.} = Max. operating current
- U_{max.} = Maximum Voltage