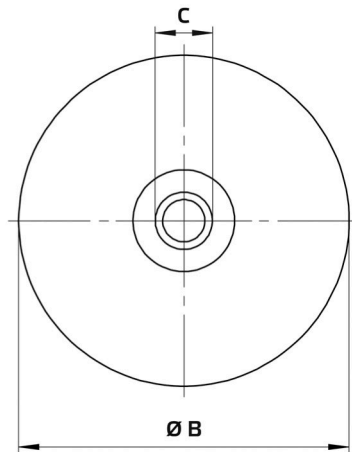
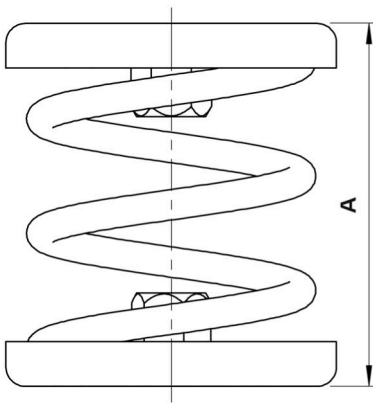


Datasheet



Product type: **Vibration dampers**
 Product ID: 155499
 Product name: FSD 02



A	mm	57
B	mm	52
C	mm	8
Weight	kg	0.8

- All metal design
- Spring plate with internal thread
- Galvanically zinc coated

Use:

- AL 400 D2 F4 01
- AL 400 D2 01
- AL 450 D4 F4 01
- AL 450 D4 01
- AL 500 D4 01
- AL 500 D4 F4 01
- AL 560 D4 F4 01
- AL 560 D4 01
- AL 630 D6 F4 01
- AL 630 D6 01
- AL 560 D4 F4 02
- AL 560 D4 02

Scope of supply:
 4x spring element
 4x height adjustment
 8x fender washer

155499_pd_k10001_en_20210913