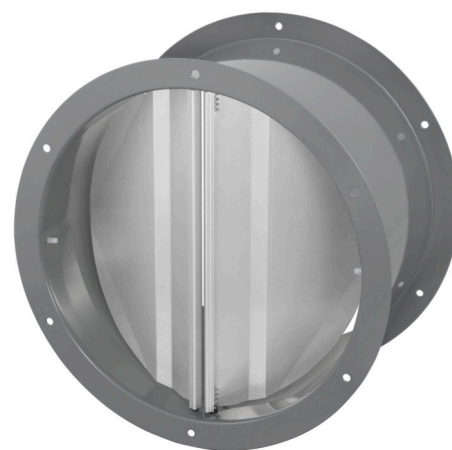
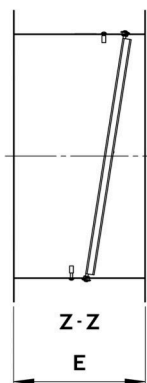
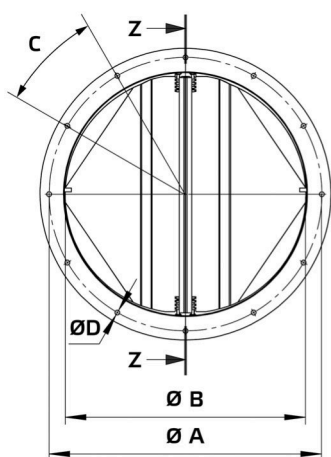


Datasheet

Product type: **Tube damper horizontal**
 Product ID: 154872
 Product name: RVK H 355



A	mm	395
B	mm	355
C		10 x 36°
D	mm	8
E	mm	233
Weight	kg	3.6

- Automatic shutter
- Sheet steel, powder-coated
- Flange mounting
- For horizontal installation
- Suitable for outdoor installation

Use:

- AL 355 D4 01
- AL 355 D2 01
- AL 355 EC 01