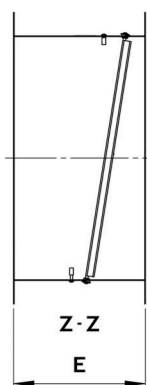
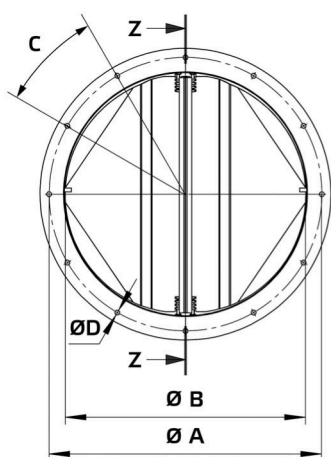


Datasheet

Product type: **Tube damper horizontal**
 Product ID: 154743
 Product name: RVK H 450



A	mm	500
B	mm	450
C		12 x 30°
D	mm	8
E	mm	218
Weight	kg	4.7

- Automatic shutter
- Sheet steel, powder-coated
- Flange mounting
- For horizontal installation
- Suitable for outdoor installation

Use:

- AL 450 D4 01
- AL 450 EC 01
- AL 450 D2 01