

4

3

2

1

D

D

C

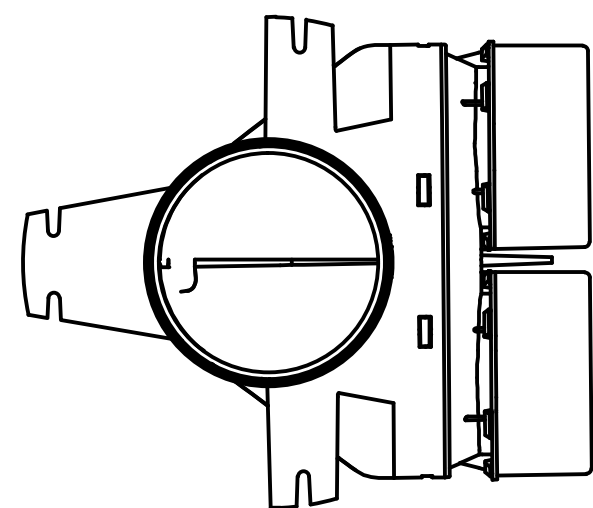
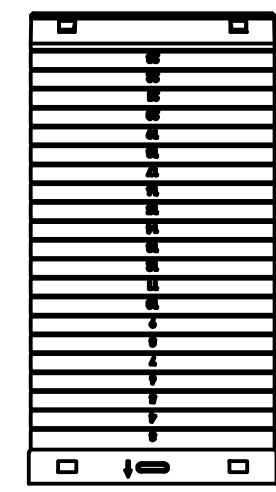
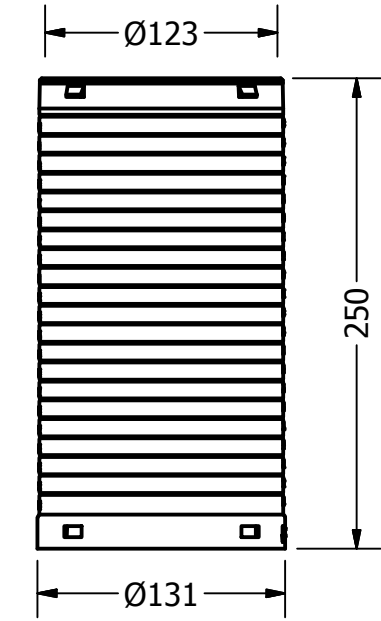
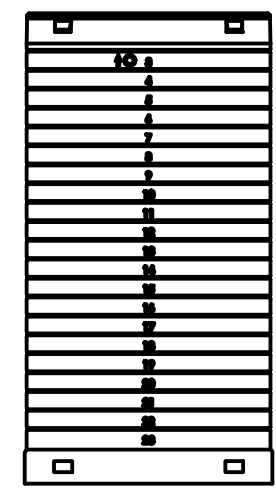
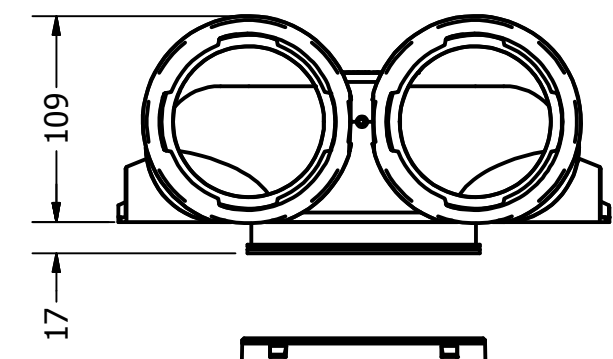
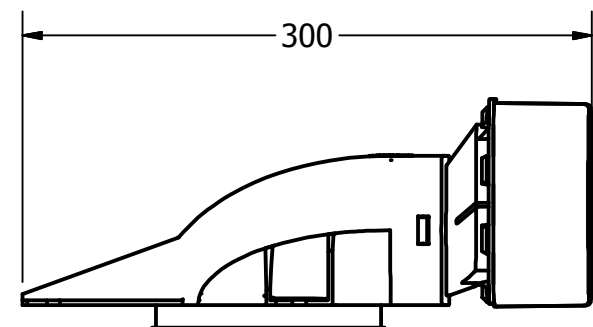
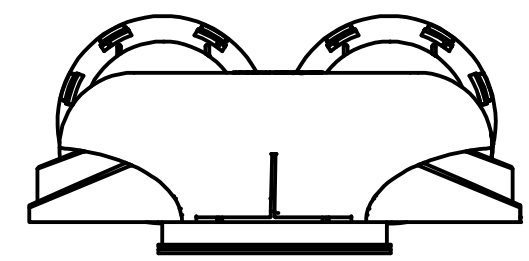
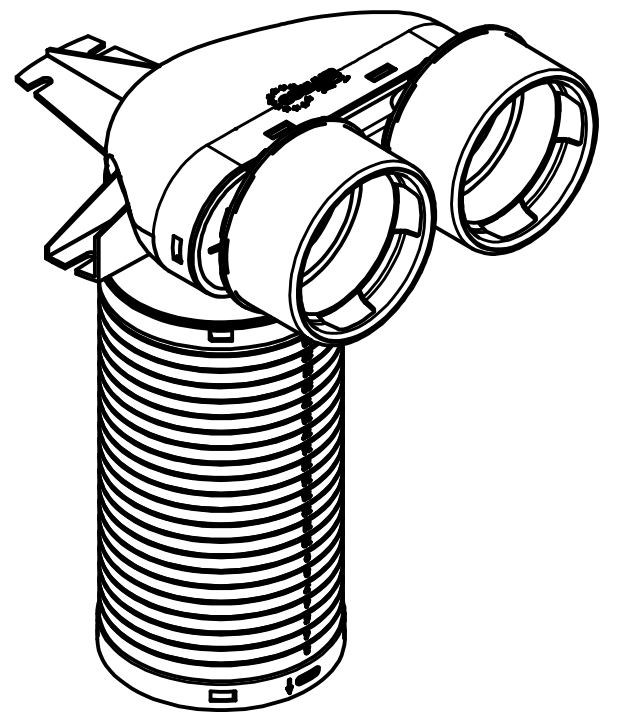
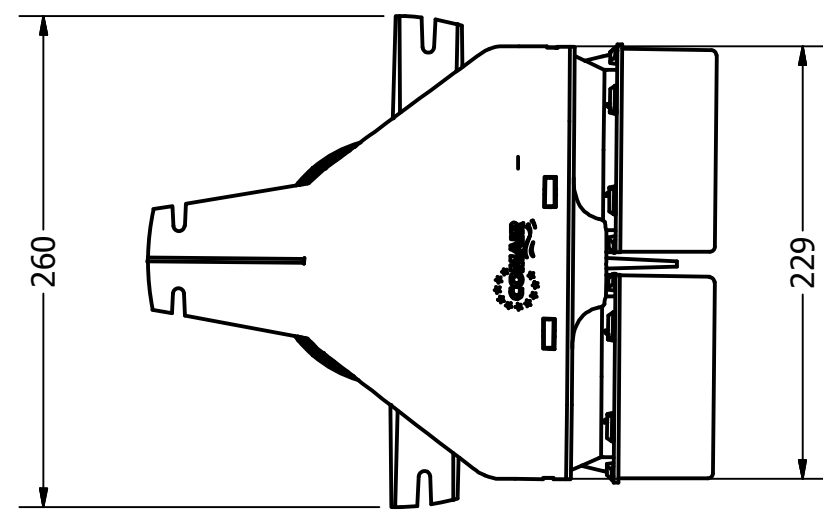
C


B

B

A

A



DRAWN Ward van den Boomen	5-6-2014	 <p>COMAIR member of the Ventlair Group</p>
CHECKED		
QA		TITLE
MFG		
SIZE		REV
1119225 VCH250-2x90 Ventielcollector 2x90mm-125mm H=250mm		
SCALE		SHEET 1 OF 1

4

3

2

1

